



DS-502

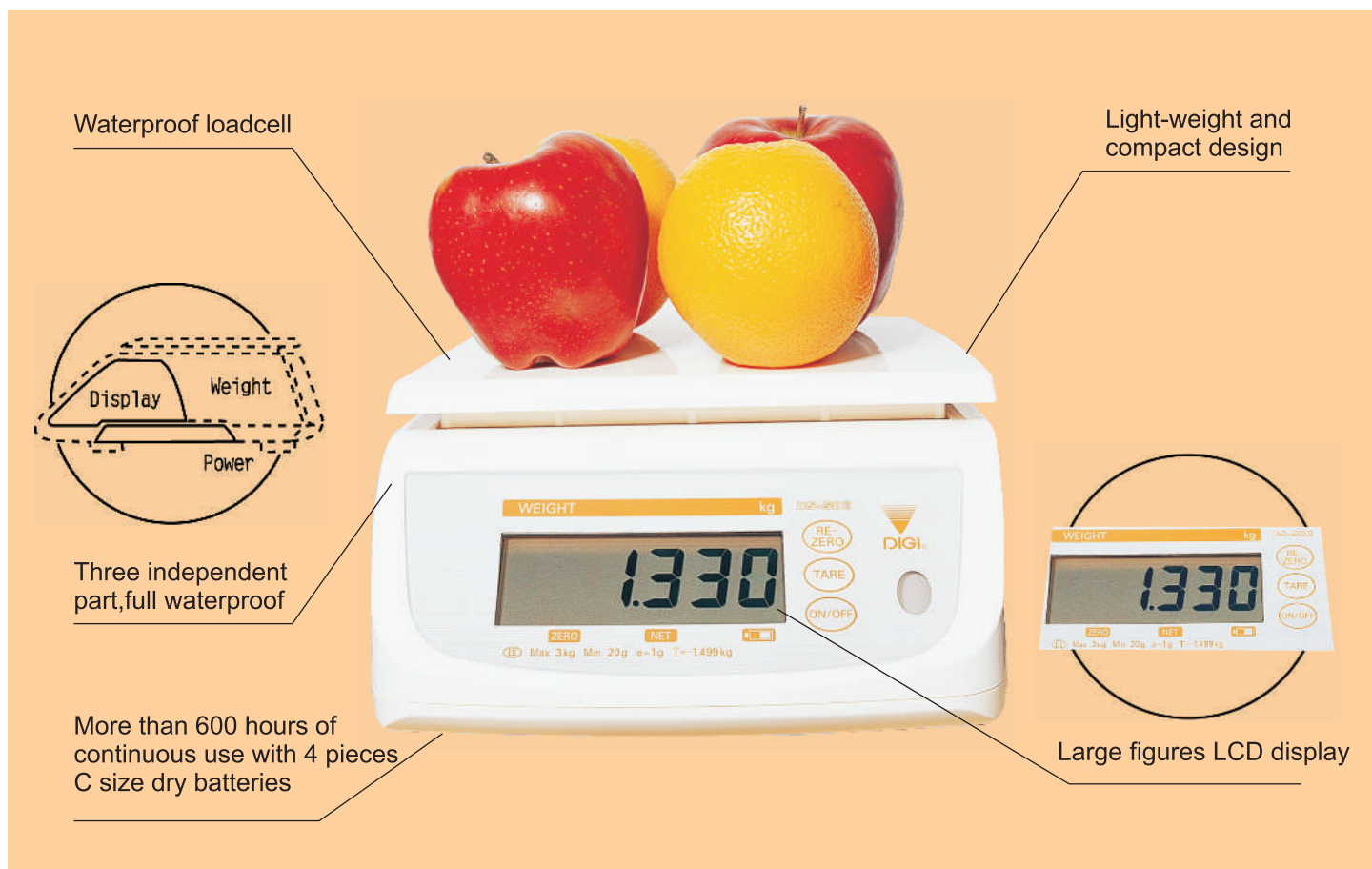
Weighing Scale

Anywhere,any time! Quick and accurate weighing guaranteed!



***Searching for
a New Balance***

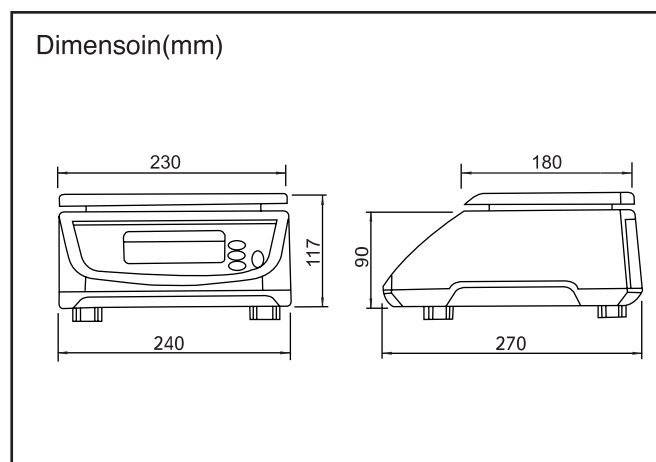
Packed with user-friendly features for perfect weighing operations



IP-65, water protection class

Specifications

Model	DS-502				
Capacity	0.6/1.5kg	1.5/3kg	3/6kg	6/15kg	15/30kg
Interval	0.2/0.5g	0.5/1g	1/2g	2/5g	5/10g
weight display	6 digits LCD display				
power source	4x C size dry battery or AC/DC Adapter (DC 5V~12V, 100mA)				
Power consumption	0.04W when DC 6V, or dry battery				
operating temperature	-10°C~40°C				
Operating humidity	15%~85%RH				
Dimensions	Overall size: 240(W)x270(D)x120(H)mm				
	Platter size : 230(W)x180(D)mm				
Net weight	2.2kg(with battery)				



* Specifications are subject to change without notice

TERAOKA SEIKO CO., LTD.

13-12 Kugahara 5-chome, Ohta-ku,
Tokyo 146-8580, JAPAN
TEL: +81-3-3752-2131
FAX: +81-3-3752-2801
URL: <http://www.digisystem.com>
E-MAIL: info@hq.digi.co.jp

TERAOKA WEIGH-SYSTEM PTE LTD.

4, Leng Kee Road, #06-01, SIS Building,
SINGAPORE 159088
TEL: +65-6861-3911
FAX: +65-6861-3144

SHANGHAI TERAOKA ELECTRONIC CO., LTD.

TINGLIN INDUSTRY DEVELOPMENTAL ZONE,
JINSHAN COUNTY, SHANGHAI 201505
TEL: +86-21-57234888
FAX: +86-21-57233049
<http://www.digisystem.com>